



## COMPRESSOR DATA SHEET

CUSTOMER ADDRESS \_\_\_\_\_  
 \_\_\_\_\_  
 \_\_\_\_\_

COMPRESSOR MAKE \_\_\_\_\_

MODEL \_\_\_\_\_

CAPACITY \_\_\_\_\_

LUB OR NON LUB \_\_\_\_\_

SPEED (RPM) \_\_\_\_\_

CONTACT \_\_\_\_\_

TEL \_\_\_\_\_

FAX \_\_\_\_\_

E MAIL \_\_\_\_\_

### COMPRESSOR DATA

### GAS ANALYSIS

CRANK RADIUS	mm inch	CON ROD CENTRE DISTANCE					mm inch			
STAGE		1st	2nd	3rd	4th	5th	CORROSIVE			
No OF CYLINDER							NON-CORROSIVE			
VERT, HORIZ OR VEE CONFIGURATION							MOL WEIGHT.			
SINGLE (S/A) OR DOUBLE ACTING (D/A)							WATER VAPOUR %			
BORE	mm						<b>GAS</b>	<b>M.W.</b>	<b>%</b>	
	inch						AIR	28.964		
STROKE	mm						O2	31.999		
	inch						N2	28.013		
PISTON ROD DIAMETER	mm						CO	28.010		
	inch						CO2	44.010		
SUCTION PRESSURE	bara						H2S	34.076		
	psia						H2	2.016		
DISCHARGE PRESSURE	bara						CH4	16.043		
	psia						C2H4	28.054		
SUCTION TEMP	°C						C2H6	30.070		
	°F						C3H8	44.097		
DISCHARGE TEMP	°C						C4H10	58.124		
	°F									
Qty SUCTION VALVES (Per cylinder end)										
Qty DISCHARGE VALVES (Per cylinder end)										
Total Number of Valves per Cylinder										
VALVE SIZE OR TYPE										
CLEARANCE VOL	HE %									
	CE %									
COMPRESSIBILITY FACTOR	Z1 (suct)									
	Z2 (disc)									
MOLECULAR WEIGHT										
Cp/Cv										

REMARKS:-

### Cook Compression

BURNELL ROAD, THORNTON INDUSTRIAL ESTATE, ELLESMERE PORT, CHESHIRE, ENGLAND CH65 5EX

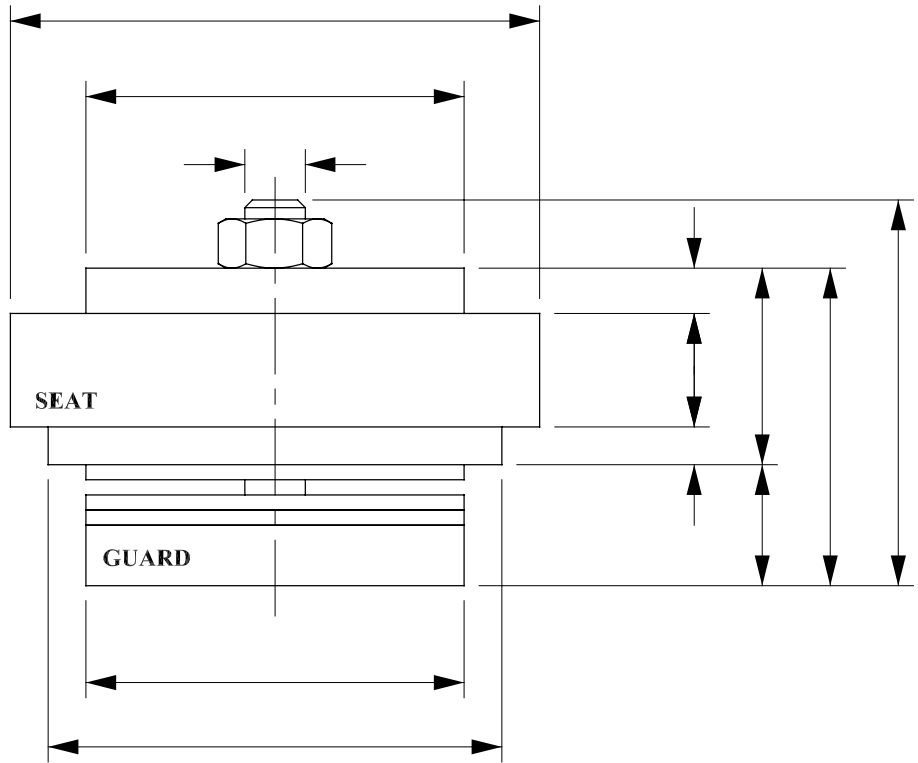
TEL 0151 355 5937 - FAX 0151 357 1098 - INTERNATIONAL CODE - 44 151

E-MAIL sales@CookCompression.com

**STAGE**

**SUCTION VALVE**

**FLOW**

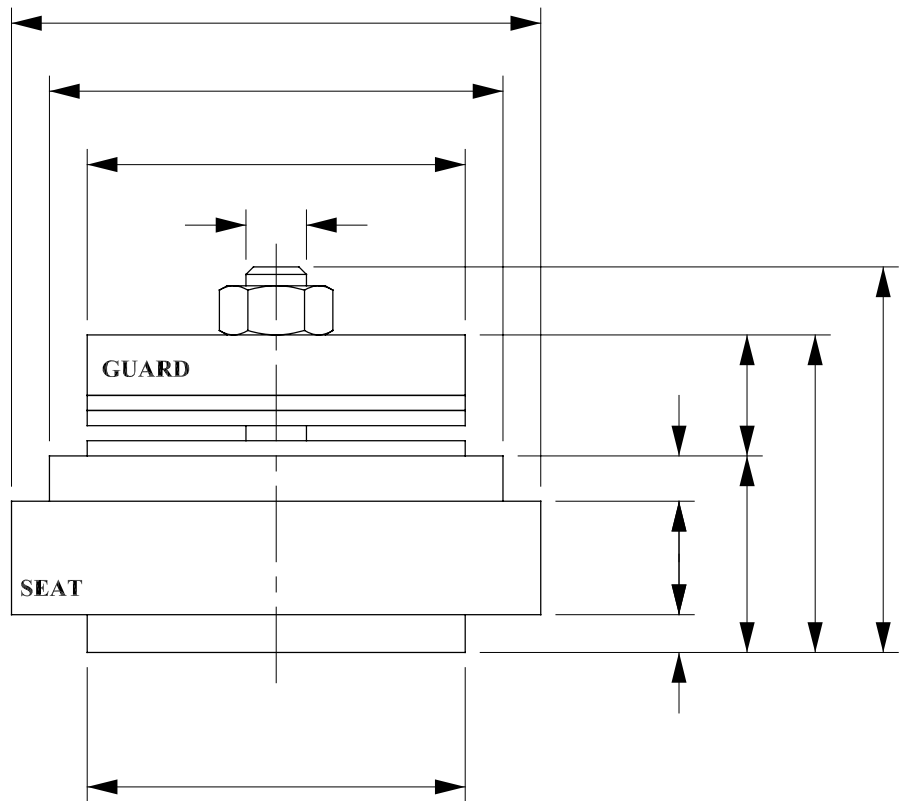


	SUCTION
VALVE LIFT	
PASSAGE AREA	
CLEARANCE VOLUME	

**STAGE**

**DISCHARGE VALVE**

**FLOW**



	DISCHARGE
VALVE LIFT	
PASSAGE AREA	
CLEARANCE VOLUME	

**Cook Compression**

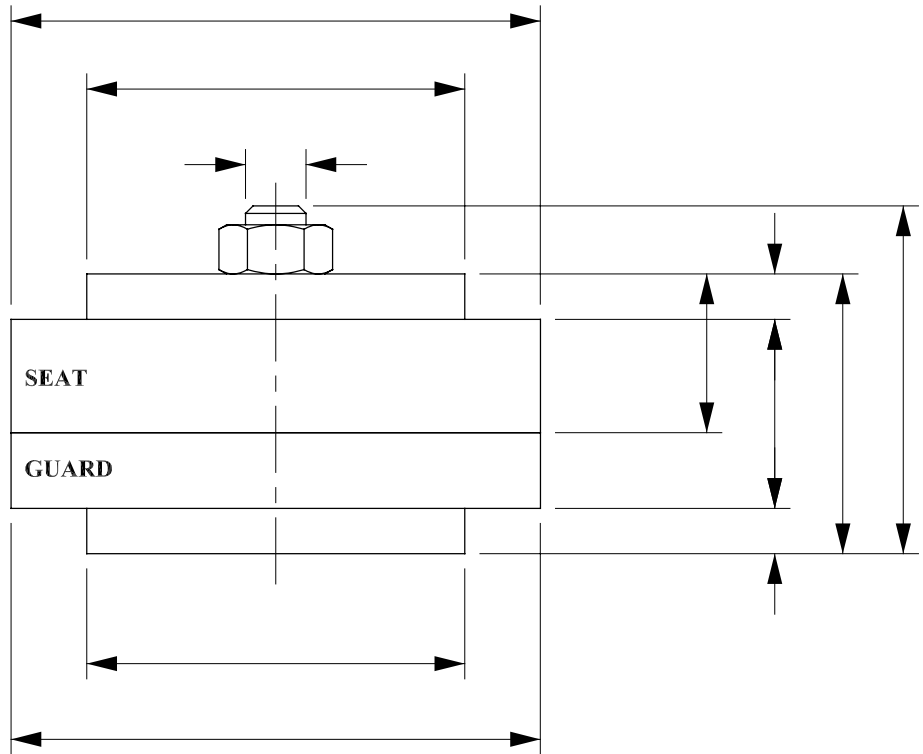
4 BURNELL ROAD, THORNTON INDUSTRIAL ESTATE, ELLESMERE PORT, CHESHIRE, ENGLAND CH65 5EX

TEL 0151 355 5937 - FAX 0151 357 1098 - INTERNATIONAL CODE - 44 151

**STAGE**

**SUCTION VALVE**

**FLOW**

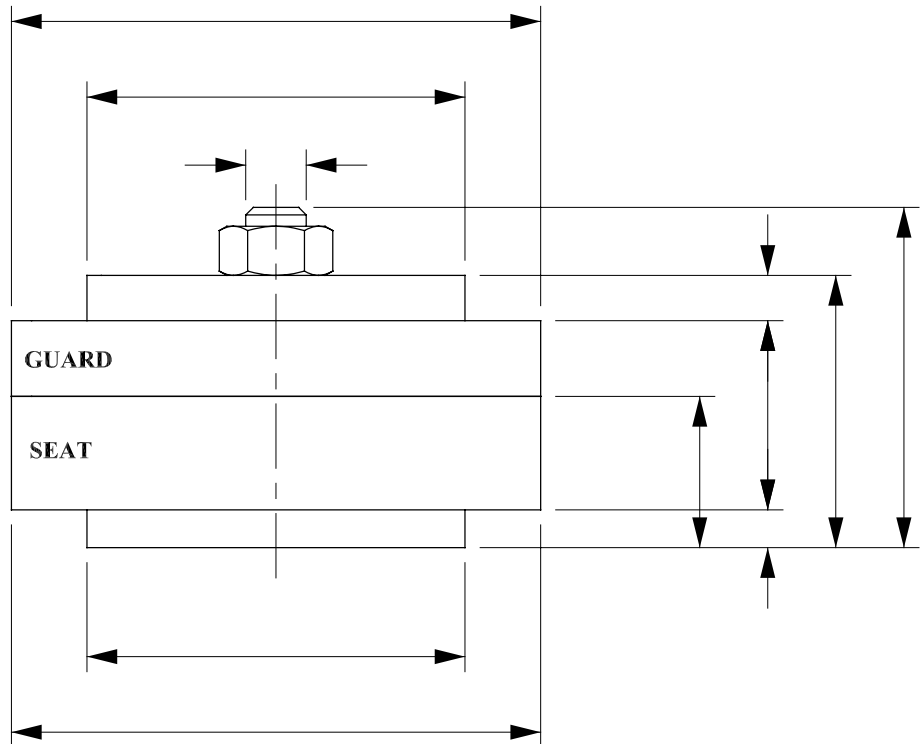


	SUCTION
VALVE LIFT	
PASSAGE AREA	
CLEARANCE VOLUME	

**STAGE**

**DISCHARGE VALVE**

**FLOW**



	DISCHARGE
VALVE LIFT	
PASSAGE AREA	
CLEARANCE VOLUME	

**Cook Compression**

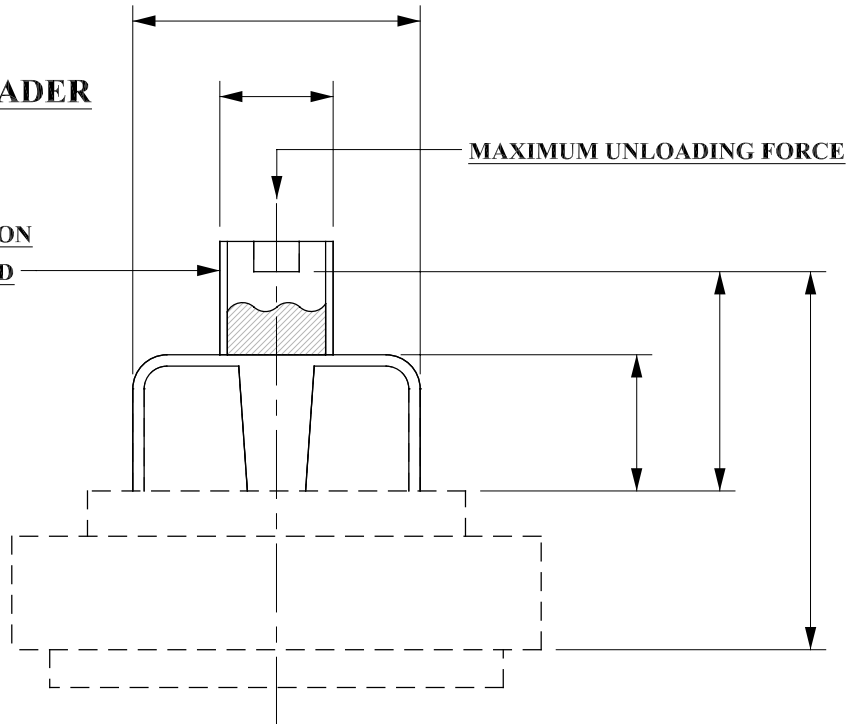
4 BURNELL ROAD, THORNTON INDUSTRIAL ESTATE, ELLESMERE PORT, CHESHIRE, ENGLAND CH65 5EX

TEL 0151 355 5937 - FAX 0151 357 1098 - INTERNATIONAL CODE - 44 151

STAGE

SUCTION VALVE UNLOADER

GIVE DETAILS OF LOCATION  
THREADS IF ANY ARE USED

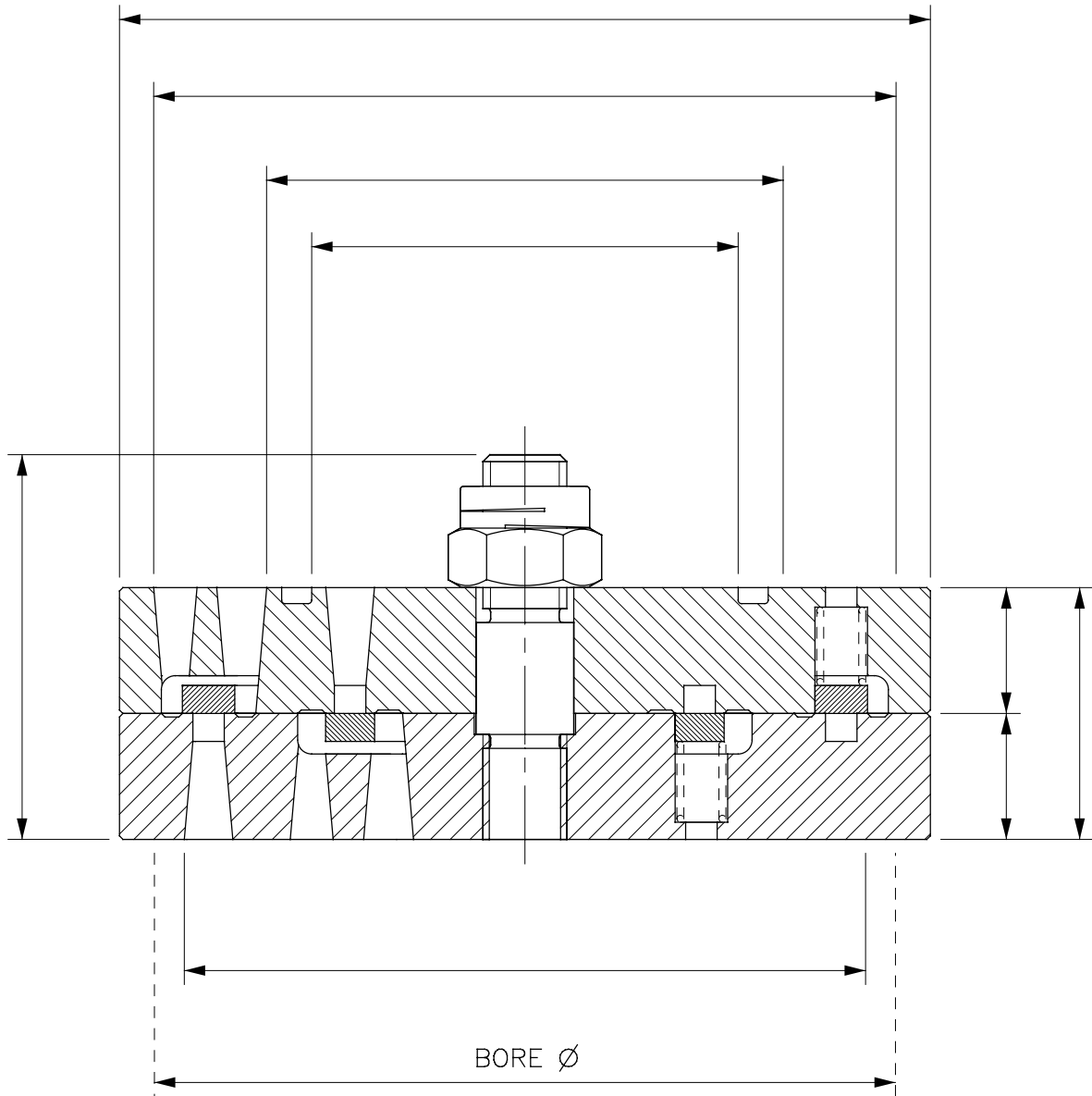


NOTE!

IN THE EVENT THAT SKETCHES ARE UNSUITABLE,  
PLEASE PROVIDE A SEPARATE SKETCH OR SAMPLE.

1. ALL SIZES MEASURED TO BE TO AN ACCURACY OF  $\pm 0.05\text{mm}$  OR  $\pm 0.002''$
2. PLEASE SUPPLY DRAWINGS OF VALVE RETAINING CAGE SYSTEM IF POSSIBLE.
3. SUPPLY VALVE DETAILS OF EACH STAGE SEPARATELY.
4. ANY OTHER REMARKS WHICH MAY BE HELPFULL.

**STAGE**



	SUCTION	DELIVERY
VALVE LIFT		
PASSAGE AREA		
CLEARANCE VOLUME		

**Cook Compression**

4 BURNELL ROAD, THORNTON INDUSTRIAL ESTATE, ELLESMERE PORT, CHESHIRE, ENGLAND CH65 5EX

TEL 0151 355 5937 - FAX 0151 357 1098 - INTERNATIONAL CODE - 44 151