

VALVE INSTALLATION TOOL DATA SHEET

Customer / Location _____

Machine / Stage _____

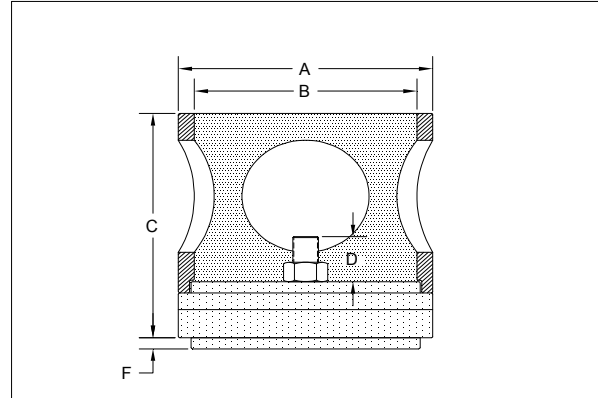
Date _____

*** Please supply sample Valve & Chair if possible ***

*** All fields required unless otherwise noted ***

VALVE & CHAIR DATA

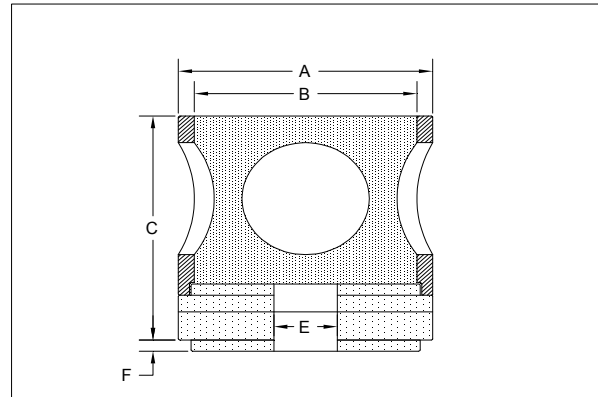
A	Maximum OD of Valve / Chair	
B	ID of Chair	
C	Effective Height of Valve + Chair	
D	Center Stud Height	
F	Valve Bottom Protrusion	
	Center Stud Diameter	
	Center Stud Threads per Inch	
	Valve Weight	
	Chair Weight	



If chair design is other than shown, provide sketch or photo

VALVE & CHAIR DATA - PARTIAL VALVE ONLY

A	Maximum OD of Valve / Chair	
B	ID of Chair	
C	Effective Height of Valve + Chair	
E	Partial Valve ID	
F	Valve Bottom Protrusion	
	Valve Weight	
	Chair Weight	



If chair design is other than shown, provide sketch or photo

VALVE PORT / CYLINDER DATA

G	Depth to Gasket Surface	
H	ID of Valve Port	
	Bolt Diameter	
	Bolt Quantity	
L	Bolt Height	
M	Distance to Nearest Obstruction	

Specify EITHER J or K

J	Bolt Circle	
K	Bolts Outside to Outside	
	Is 1st Bolt at Top Dead Center of Pattern?	YES / NO

